



WIP3BV5

WISH IP H.265 3MP Varifocal IR Bullet Camera

The WIP3BV5 is a 3MP True Day/Night, IP IR Bullet Camera with a 2.8-12mm Varifocal Lens. With an effective IR Range of 30m in ideal conditions. DC12V.

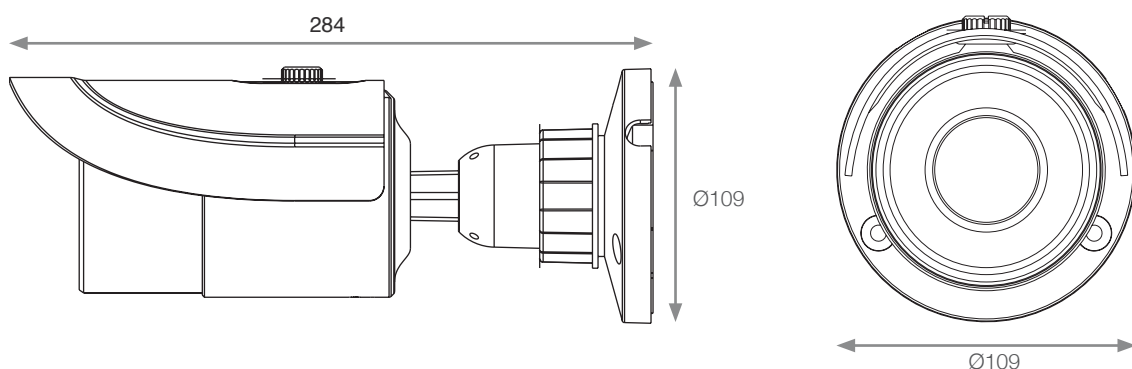


WIP3BV5

Key Features

- 3MP (2304 x 1296)
- H.265 Video Compression
- True Day / Night
- Up to 30m IR Distance (In Ideal Conditions)
- 3D DNR
- Digital WDR
- ROI Coding
- Support PoE Power Supply
- IP66 Protection
- Supports Own App on Android and IOS Remote Monitoring

Dimensions (mm)





Technical Specification

| | |
|------------------------|--|
| Model Number | WIP3BV5 |
| Image Sensor | 1/2.7" CMOS |
| Image Pixels | 2304 x 1296 |
| Electronic Shutter | 1/25s ~ 1/100000s |
| Minimum Illumination | 0 Lux with IR |
| Lens | 2.8 ~ 12mm |
| Digital WDR | Yes |
| 3D DNR | Yes |
| Angle Adjustment | Any Angle |
| Video Compression | H.265 / H.264 / MJPEG |
| Resolution | 3MP (2304 x 1296), 3MP (2048 x 1536), 1080P (1920 x 1080), 720P (1280 x 720) |
| Main Stream | 60Hz : 3MP (1~30fps) / 2K (1~30fps) / 1080P (1~30fps) / 720P (1~30fps) 50Hz : 3MP (1~25fps) / 2K (1~25fps) / 1080P (1~25fps) / 720P (1~25fps) |
| Bit Rate | 64Kbps ~ 10Mbps |
| Encode Mode | VBR/CBR |
| Quality | Five Levels under VBR; Freely Adjustable under CBR |
| Image Settings | ROI, Saturation, Brightness, Contrast, etc Adjustable through Client Software or Web Browser |
| Audio Compression | G. 711A/ U |
| Network Interface | RJ45 |
| Video Output Interface | BNC 1 |
| Audio Interface | MIC IN x 1 |
| PoE | Yes |
| Smart Alarm | Motion Alarm |
| Day and Night | True Day/Night, ICR |
| Protocol | TCP/IP, UDP, DHCP, NTP, RTSP, PPPoE, DDNS, SMTP, FTP |
| IR Distance | Up to 30m (In Ideal Conditions) |
| IP Rating | IP66 |
| Power Supply | DC12V / PoE |
| Operating Conditions | Temperature: -20°C ~ 50°C Humidity: 10% ~ 90% |
| Dimensions (Ø x L) | Ø109 x 284 mm |
| Weight | 609g |

Genie CCTV reserves the right to change specifications without notice. Please contact your representative to confirm current specifications.

Accessories

- **FILTERKIT4** - Filter Set Up Kit
- **PSU1SM** - In-Line DC12V 2A Output, Regulated Switch Mode PSU with Fixing Mount
- **POE-INJ01** - PoE Injector, Single Port
- **WIPMPJB** - Multi Platform Junction Box
- **GAIPLEAD** - IP Audio Lead

